



VERTEX SERIES

OPERABLE ALUMINUM VENT

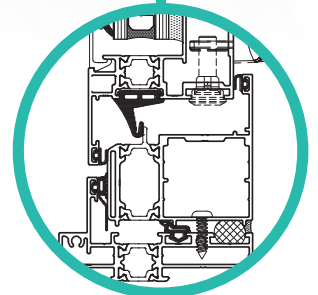
MAKE EVERY OPENING GRAND. EXPERIENCE VERTEX'S INNOVATIVE BREATH-OF-FRESH-AIR APPROACH TO VENTS

Vent Design Options that are Easy. Breezy. Versatile.

Vertex operates effectively and effortlessly while maintaining exceptional air, water and thermal performance, and easily integrates with all our other high-performance systems for strip windows, storefront, and curtainwall.

Durable, Robust and Adaptable, Everything you Need to Reach the Vertex

Natural ventilation is possible on your next glazing project with the Vertex series of operable vents. With Vertex, owners have the opportunity to select the operable vent best-suited for their project requirements, choose: awning, casement, hopper, in-swing, or a side-hinged option.



THERMALLY BROKEN, NEVER BRIDGED

A fully pressure equalized design that incorporates a 18mm polyamide thermal break and extruded EPDM and silicone gaskets for superior air and water tightness.



CONFIGURATIONS ARE HIGHLY CUSTOMIZABLE

Vertex is factory assembled by Apex Façade Systems and is available in awning, casement, hopper, side-hinge, and in-swing options. Ask how you can customize with a variety of hardware and finish options. Sizes available from 16" x 24" to 60" x 67".



EASY INTEGRATION

Easily Integrate the Vertex Operable Aluminum Vent into any Apex Storefront, Curtainwall, or Strip Window.



SPLIT FINISHES

Create a seamless look on your next project with split finishes.



VERTEX 300 SERIES

OPERABLE ALUMINUM VENT

PERFORMANCE TEST STANDARDS

Vertex 300/302

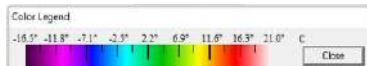
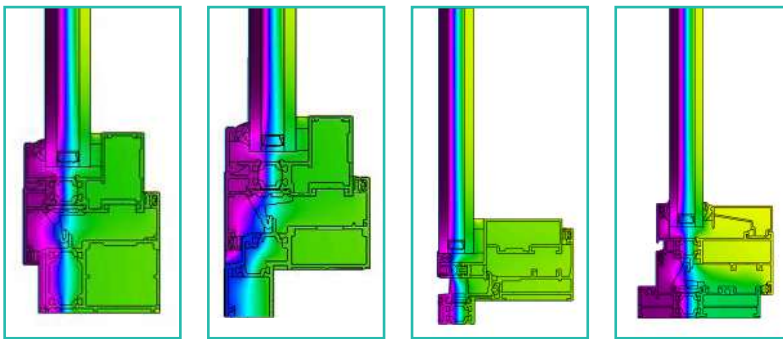
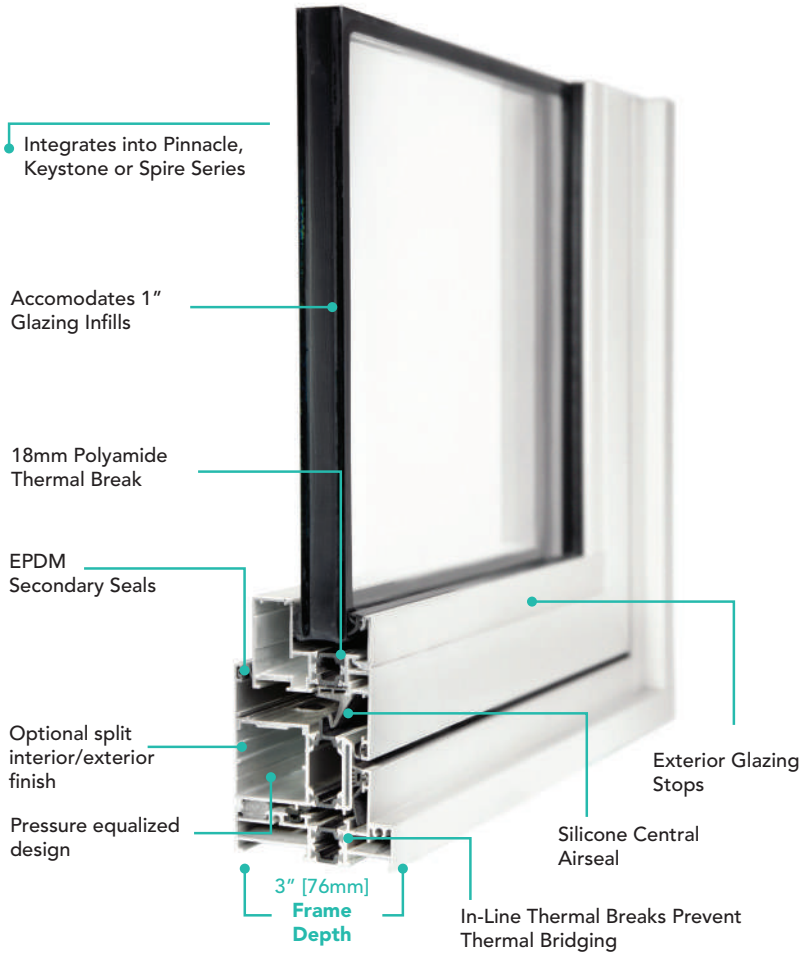
Evaluation Property	Awning	Casement
NAFS Rating	CW-PG45	CW-PG45
Specimen Size	72.8" x 49.6" [1850mm x 1260mm]	37.8" x 73.2" [960mm x 1860mm]
Operational Force	Pass	Pass
Air Leakage – 75 Pa L/s/m ² (cfm/ft ²)	US = Pass; CAN – A3 Infiltration: 0.00 (0.00); Exfiltration: 0.00 (0.00)	US = Pass; CAN = A3; Infiltration: 0.00 (0.00); Exfiltration: 0.00 (0.00)
Water Penetration Resistance	Pass @ (CAN) PG100, 730 Pa (15.3 psf)	Pass @ (CAN), PG 100, 730 Pa (15.3 psf)
Uniform Load (overall)	Pass @ PG45, 2160 Pa (45.1 psf)	Pass @ PG45, 2160 Pa (45.1 psf)
Forced Entry Resistance	Gr. 20	Gr. 20

Vertex 320 (Zero Sightline)

Evaluation Property	Awning	Casement
NAFS Rating	CW-PG50	CW-PG70
Specimen Size	72" x 49" [1830mm x 1240mm]	41" x 84" [1030 x 2130 mm]
Operational Force	US = Pass; CAN = Pass	US = Pass; CAN = Pass
Air Leakage – 75 Pa L/s/m ² (cfm/ft ²)	US = Pass; CAN = A3 Infiltration: 0.00 (0.00); Exfiltration: 0.00 (0.00)	US = Pass; CAN = A3 Infiltration: 0.00 (0.00); Exfiltration: 0.00 (0.00)
Air Leakage – 300 Pa (6.2 psf)	US = Pass; CAN = A3 Infiltration: 0.00 (0.00); Exfiltration: 0.00 (0.00)	US = Pass; CAN = A3 Infiltration: 0.00 (0.00); Exfiltration: 0.00 (0.00)
Water Penetration Resistance	Pass @ (CAN) PG100, 730 Pa (15.3 psf)	Pass @ (CAN) PG100, 730 Pa (15.3 psf)
Uniform Load (deflection)	Pass @ PG50, 2400 Pa (50.1 psf)	Pass @ PG70, 3360 Pa (70.2 psf)
Uniform Load (structural)	Pass @ PG50, 3600 Pa (75.2 psf)	Pass @ PG70, 5040 Pa (105.3 psf)
Forced Entry Resistance	Gr. 20	Gr. 20
Projected Hardware Load	Pass	N/A
Sash Vertical Deflection	N/A	Pass
Sash and Hardware Load	N/A	Pass

Vertex 304 (In-Swing)

Evaluation Property	Hopper	Casement
NAFS Rating	CW-PG50	CW-PG55
Specimen Size	70.9" x 39.4" [1800mm x 1000 mm]	39.4" x 63.0" [1000 mm x 1600 mm]
Operational Force	US = Pass; CAN = Pass	US = Pass; CAN = Pass
Air Leakage – 75 Pa L/s/m ² (cfm/ft ²)	US = Pass; CAN = A3 Infiltration: 0.00 (0.00); Exfiltration: 0.00 (0.00)	US = Pass; CAN = A3 Infiltration: 0.00 (0.00); Exfiltration: 0.00 (0.00)
Air Leakage – 300 Pa (6.2 psf)	US = Pass; CAN = A3 Infiltration: 0.00 (0.00); Exfiltration: 0.00 (0.00)	US = Pass; CAN = A3 Infiltration: 0.00 (0.00); Exfiltration: 0.00 (0.00)
Water Penetration Resistance	Pass @ (CAN) PG100, 730 Pa (15.3 psf)	Pass @ (CAN) PG100, 730 Pa (15.3 psf)
Uniform Load (Deflection)	Pass @ PG50, 2400 pa (50.1 psf)	Pass @ PG55, 2640 Pa (55.1 psf)
Uniform Load (Structural)	Pass @ PG50, 3600 Pa (75.2 psf)	Pass @ PG55, 3960 Pa (82.7 psf)
Forced Entry Resistance	Gr. 20	Gr. 20
Projected Hardware Load	Pass	N/A
Sash Vertical Deflection	N/A	Pass
Sash and Hardware Load	N/A	Pass



For information on Vertex's breezy solutions:

Visit apexfacades.com or call 1.866.970.5948

