



KEYSTONE 500

SLIMLINE CURTAINWALL



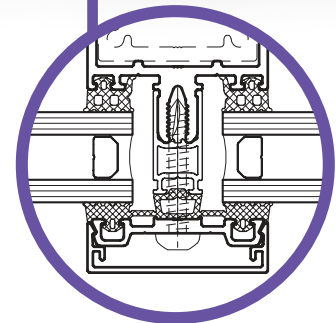
IF YOU WANT YOUR PROJECT TO BE A VISION,
YOU HAVE TO FIRST THINK VISIONARY

Architecturally Visionary

A slim 2" [51mm] profile provides occupants with incomparable and highly unobstructed sight lines within architecturally refined contours.

Environmentally Superior

Our evolved and sophisticated thermal break solution was implemented to surpass increasingly stringent energy codes.



HIGHLY VERSATILE

Multiple mullion depths, industry standard or custom caps, corner and splayed applications, make the Keystone 500 exceedingly versatile and an optimal choice for new construction or restoration projects in low to high rise applications, including strip-windows and ground floor framing.



THERMAL PERFORMANCE & CONDENSATION RESISTANCE

A pressure-equalized design that incorporates polyamide thermal breaks and EPDM rubber gaskets allow Keystone 500 to surpass all water and air infiltration standards.



SUPERIOR GLAZING SUPPORT

Glazing chairs and multi-purpose sleeves offer superior structural support and simplified reinforcement that work to provide the opportunity for larger glazing units and unsurpassed views.



LIMITLESS CUSTOMIZATION

In-house services including custom extrusions and finishes allow for boundless customization and shorter lead times. Choose from the highest quality architectural coatings: anodized or paint with split-finish options.



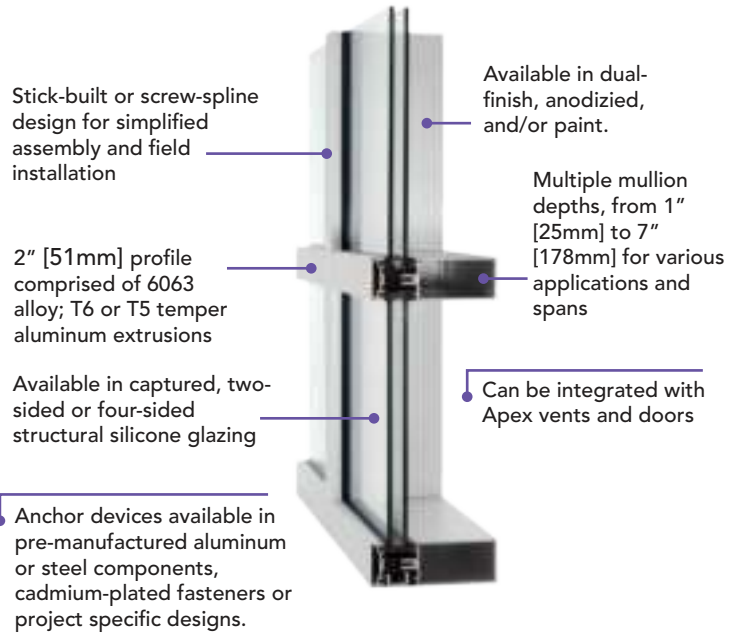
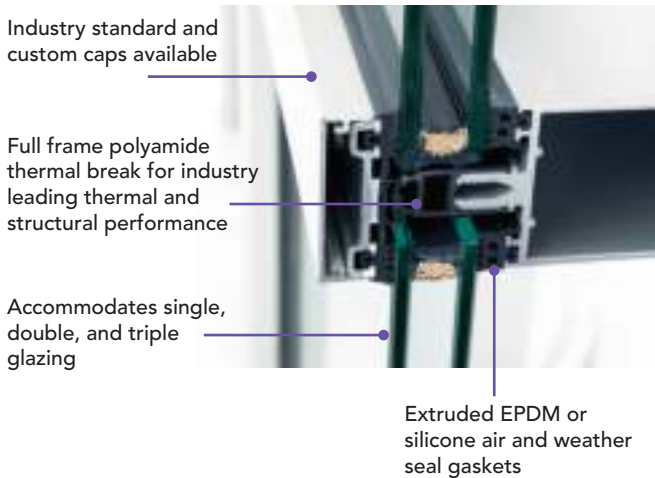
KEYSTONE 500

SLIMLINE CURTAINWALL

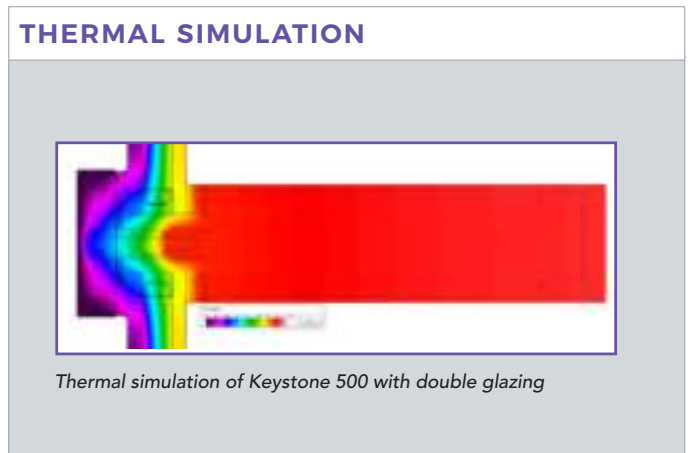
Ease, Beauty, and Refined Contours

All the features you need to be remarkably visionary on your next project.

Maximize majestic views as well as occupancy comfort and daylighting with Keystone's narrow 2" [51mm] profile. Keystone is designed to deliver additional value for expansive views and a connection to the outdoors. Enhanced by leading-edge thermal engineering, Keystone's thermal break is never bridged. Finish your curtain wall in standard or custom color-matched paint, anodizing or split-finish.



PERFORMANCE TEST STANDARDS	
Air Infiltration 300 Pa (6.27 psf)	ASTM E283
Air Exfiltration 300 Pa (6.27 psf)	ASTM E283
Static Water Penetration	ASTM E331
Static Air Pressure Difference	ASTM E330
Dynamic Pressure	AAMA 501.1
Static Testing, Interstory Drift	AAMA 501.4
Dynamic Test, Seismic Drift	AAMA 501.6
Static Test, Vertical Inter-Story Movements	AAMA 501.7
Thermal Cycling of Exterior Walls	AAMA 501.5
Condensation Resistance and Thermal Modeling	NFRC 100, NFRC 200, NFRC 300, NFRC 500



For information on this architectural visionary curtain wall
 Visit apexfacades.com or call 1.866.970.5948